



# Cascata

Linen and Garbage Chutes





## MAIN ADVANTAGES OF POLIEDRA SYSTEM

<b>Quick and easy use</b>	<b>NO temporary storage</b>
<b>Hygiene</b>	<b>NO lifts and stairs use</b>
<b>Minimum space</b>	<b>Electronic alarm management</b>
<b>Automatic transport to collection room</b>	<b>Programmable control and maintenance Software</b>

Laundry management and refuse disposal within hotels, health care facilities and residential buildings require a modern and technological approach.

Poliedra linen and garbage chutes have been developed to meet this need with an efficient, reliable and valuable offer.

In compliance with environmental constraints, Poliedra chutes allow reaching high hygienic standard, designing a dedicated and inaccessible route for a fast management of laundry and refuse towards the collecting area.

Poliedra standard offer is made of stainless steel pipes with intakes at every floor.

All items are available in standard and custom specification upon request.

Poliedra chutes are highly reliable and custom made for every situation.

## CHUTE DIAMETERS AND DOORS

Chute Diameter (mm)	Side hinged Door (mm)		Bottom hinged Door (mm)	
	general	maximum	general	maximum
from 450 to 600	380x380	450x450	300x380	380x450
650	380x380	550x550	380x450	450x450
800	380x380	550x550	380x450	450x450
900	450x450	550x550	600x600	600x600

For further information, please do not hesitate to contact us:

Poliedra Srl  
 Via Ponchielli 5, 20833 Giussano MB Italy  
 P: +39 0362 311245 F: +39 0362 310237  
 e-mail: info@poliedra.com

# Main Characteristics

## Materials

Stainless steel AISI304 (or galvanized) 1.2 mm (or 1.5 mm) thickness.  
 Diameters: from 400 mm (16") up to 900 mm (35").

## Doors

**Linen Chute:** made of stainless steel with hinge on the side, closing with key or smart electrical interlock. Size according to chute morphology.  
 UL Label 90 minute fire rated, on demand.

**Garbage Chute:** made of stainless steel with hinge on the bottom, closing with key or smart electrical interlock. Size according to chute morphology.  
 UL Label 90 minute fire rated, on demand.

## Discharge

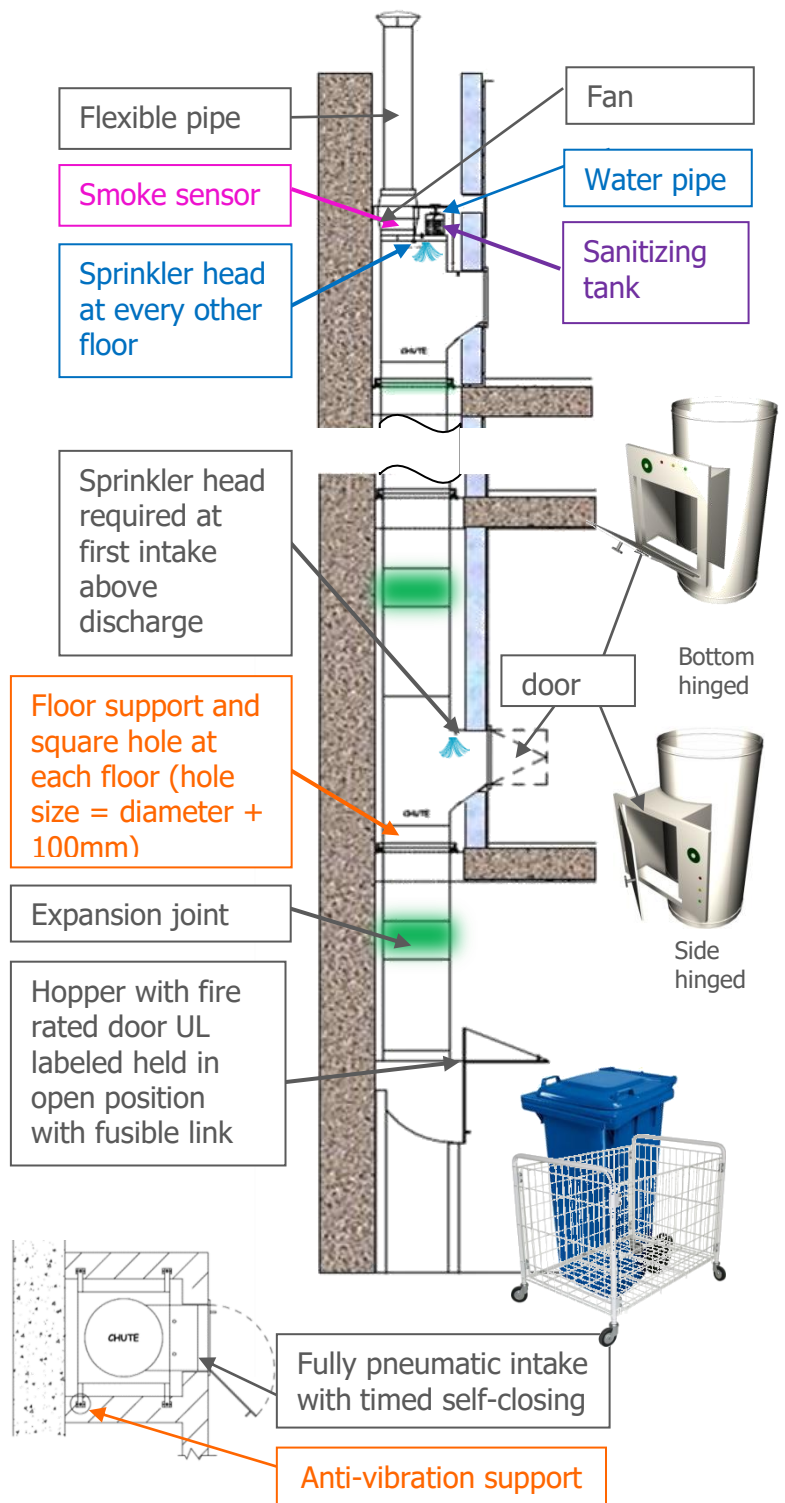
**H shaped hopper:** at the base of the chute, an H shaped hopper should be installed. It is equipped with an automatic fire cut-off door to prevent the spread of fire. The top hinged door is held open with a thermal fusible link.  
 UL Label 90 minute fire rated, on demand.

**Gravity fire cut-off damper:** alternatively to the fire cut-off door it is possible to install an automatic gravity fire cut-off damper which slides on rails.  
 It works by a thermal fusible link.  
 UL Label 90 minute fire rated, on demand.

**Vent:** Chute extended through roof with flexible pipe and fan. Top vent cap above roof level.

**1/2" Sprinkler heads:** required at first intake above discharge.

Custom material and specifications on demand



## Optional (colors as per the above figure)

Above top intake:  
 - 3/4" IPS flashing spray head and 1/2" sprinkler head

At every other intake, starting from the one above discharge (or as required by local regulations):  
 - 1/2" sprinkler heads

At each floor:  
 - Floor support and 4 anti-vibration supports

Other:  
 - Disinfecting and sanitizing unit  
 - Smoke sensors at highest intake and at discharge level. On demand, connection to BMS.

# Main Characteristics

## Doors

### Standard Door with Key

Made of stainless steel AISI 304, with self closing stainless steel Hinges, and self latching quite door closing function. Door is provided with a compliant T type lever locking handle and key locking devices.

### Smart Interlock Door with Controller

It allows the opening of one door at a time, for an upper level of health and safety. Besides, the electronic system locks off the doors also when cleaning procedure are activated. It can be installed in every type of construction, either for linen ad garbage chute.

**UL Classification:** on demand, UL Label 90, with fire resistance class of 90 minutes, according to NFPA82 and a frame suitable for enclosing multiple type constructions.

## H Shaped Hopper

At the base of the chute, an H shaped hopper should be installed. It is equipped with an automatic fire cut-off door to prevent the spread of fire. The top hinged door is held open with a thermal fusible link sets at 71°C.

UL Label 90 minute fire rated, according to NFPA82, on demand.

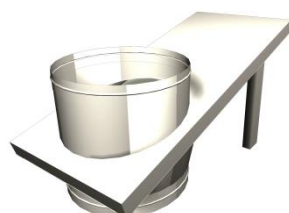


## Gravity Fire Cut-Off Damper

Alternatively to the fire cut-off door it is possible to install an automatic gravity fire cut-off damper which slides on rails.

It works by a thermal fusible link sets at 71°C.

UL Label 90 minute fire rated, according to NFPA82, on demand.



## Intake Section

An intake section is installed at each served floor and connected to each door. The intake sections, as an option, can be coated with sound dampening and fire retardant material. The standard length of these sections is 1200 mm but different dimension can be made for tailored applications. Each intake section can hold an UL listed fire sprinkler.



Intake for linen Chute.  
Side hinged door



Intake for garbage chute.  
Bottom hinged door.

## Floor Support

It is manufactured of stainless steel or galvanized steel. The support can holds, as an option, anti-vibration supports. Wherever installed the supports shall be bolted to concrete slabs or load bearing walls.



## Poliedra Recycling systems

Poliedra designs and engineers specific recycling systems to meet any waste/recycling disposal requirement.

Our systems are equipped with exclusive electronic recycling doors, for an easy selection of garbage type and bin.

This system can also be used in conjunction with a compactor system.

